

GNSD-20 Adjustable Soft-Down Stay

Top opening

Features

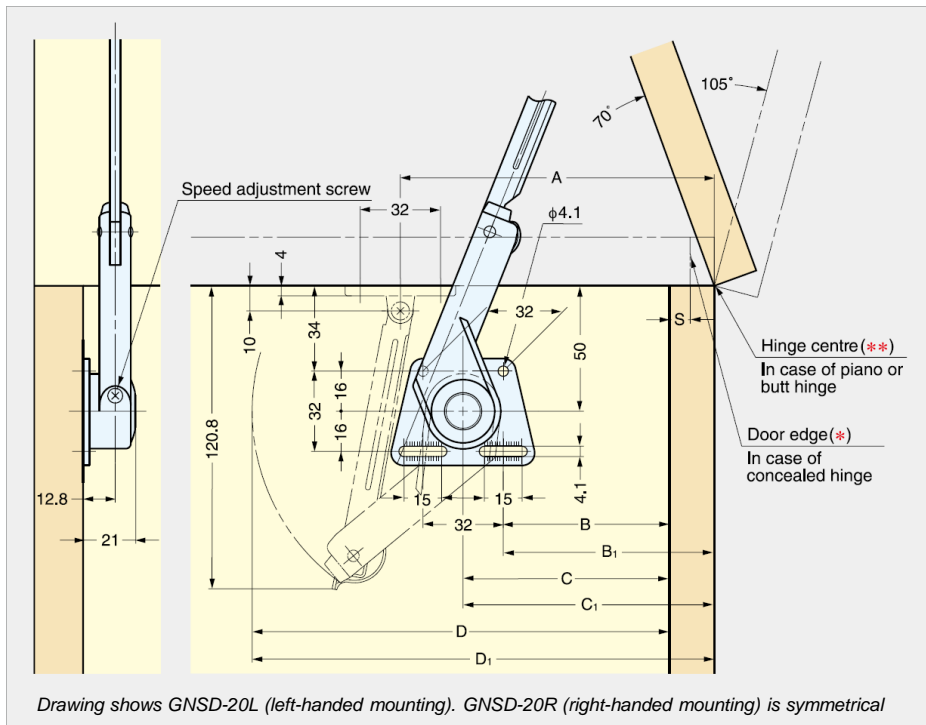
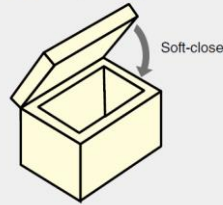
- Soft-closing for top-opening doors
- Designed to hold door in fully opened position
- Opening angle adjustable from 70° to 105°
- Can be used with piano, butt or concealed hinges
- Passed 30,000 life cycle test
- Torque calculation:
 - Torque = Door height x 1/2 x door weight
 - Per piece : 20 ~ 70 kgf-cm



Material

- Zinc alloy steel, nickel finish

70°~105° Opening



Opening Angle	Hinge Type	A	B	C	D	B ₁	C ₁	D ₁
70°	Concealed Hinge	126	85-S	101-S	185-S	-	-	-
	Piano / Butt Hinge	125	-	-	-	84	100	184
105°	Concealed Hinge	103	62-S	78-S	162-S	-	-	-
	Piano / Butt Hinge	97	-	-	-	56	72	156

Note: "S" dimension is the overlay distance for concealed hinge(s).

Part No.	Type	Maximum Door Moment (per piece)	
GNSD-20R	Right-handed	1.96 ~ 6.9 N.m	20 ~ 70 kgf.cm
GNSD-20L	Left-handed		